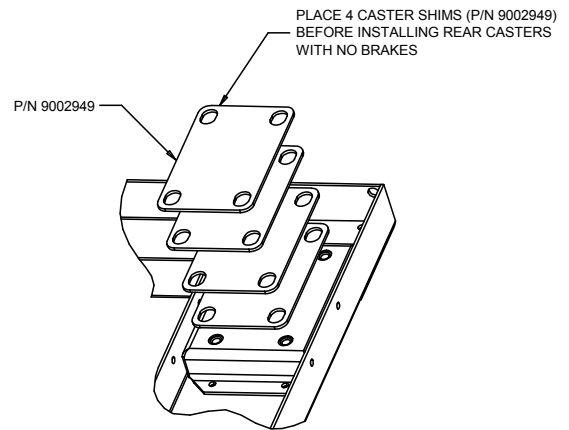
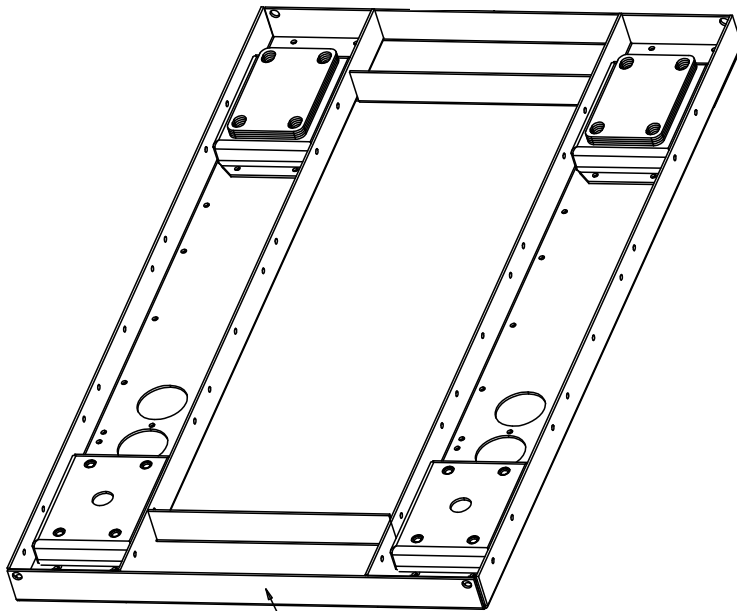


# CASTER SHIM INSTALLATION INSTRUCTIONS



1. Remove the bolts securing the casters.
2. Add shims to the fryer for the height desired.
3. Reattach casters using supplied washers and bolts.